

IMPORTANT SAFEGUARDS

WHEN USING ELECTRICAL EQUIPMENT, BASIC SAFETY PRECAUTIONS SHOULD ALWAYS BE OBSERVED INCLUDING THE FOLLOWING:

READ AND FOLLOW ALL SAFETY INSTRUCTIONS.

- DANGER- Risk of shock- Disconnect power before installation. DANGER – Risque de choc – Couper l'alimentation avant l'installation.
- This Product Must Be Installed In Accordance With The Applicable Installation Code By A Person Familiar With The Construction And Operation of The Product And The Hazards Involved. Ce Produit Doit Etre Installe Selon Le Code D'installation Pertinent, Par Une Personne Qui Connaît Bien Le Produit Et Son Fonctionnement Ainsi Que Les Risques Inherents.
- Min. 60°C supply conductors. Les fils d'alimentation 60°C min.
- Suitable for damp locations. Convient aux emplacements humides.

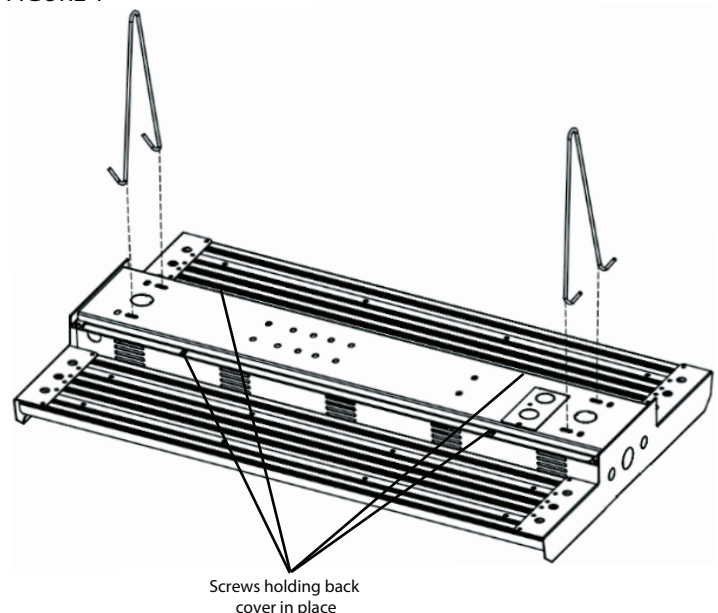


WARNING DISCONNECT POWER BEFORE INSTALLING OR SERVICING.

HOOK AND CHAIN MOUNT

1. Remove back cover from fixture by unscrewing (4) screws holding cover in place. See Figure 1.
 2. Remove desired 1/2" knockout on back cover to allow for cord entry.
 3. Insert power supply cord through removed 1/2" knockout and snap strain relief into knockout. Longer section of cord should be on outside of cover.
 4. Splice black cord lead to black driver lead, white cord lead to white driver lead, and cord ground lead (green) to fixture ground (green) lead. If 0-10V dimming is to be used, splice positive dimming supply lead to violet driver lead and negative dimming supply lead to grey driver lead.
- NOTE: For dimming connections, use Class 1 wiring methods only.
5. Replace back cover on fixture using (4) screws that were removed in Step 1.
 6. Pass the (2) supplied wire hangers through the last links of (2) supplied suspension chains
 7. Install the wire hangers into the back of the fixture. Ends of wire hangers are first inserted into the longer oval holes in the fixture and are then returned out of the fixture through the smaller oval holes. See Figure 1.

FIGURE 1



ELECTRICAL CONNECTIONS

Fixture is equipped with universal volt driver 120-277V (ie. 120V, 208V, 240V or 277V)

PHASE TO NEUTRAL WIRING 120/277V

1. Connect supply ground to fixture ground (green) lead.
2. Connect supply common to fixture neutral (white) lead.
3. Connect supply Vin to fixture hot (black) lead.

Tuck all wires carefully into wiring chamber ensuring that no wires are pinched.

PHASE TO PHASE WIRING 208/240V

1. Connect supply ground to fixture ground (green) lead.
2. Connect supply L1 (Hot) to fixture neutral (white) lead.
3. Connect supply L2 (Hot) to fixture hot (black) lead.

Tuck all wires carefully into wiring chamber ensuring that no wires are pinched.

DIMMING

1. Grey (-) and violet (+) leads are for 0-10V dimming systems. Cap off if not used.

NOTE: For dimming connections, use Class 1 wiring methods only.